



SNORKEL S2 HYDRAULIC PUMP

HYDRAULIC MOTOR

Vane-Style 23 Horsepower hydraulic motor - keyed shaft & 536 in-lbs of torque.
(Hydraulic hoses are installed through the water discharge hose.)

INTAKE/BOWL

Aluminum sand casting - CNC precision machined with a tapered, mixed-flow design.

DIFFUSER

Aluminum sand casting - CNC precision machined & houses the hydraulic motor

IMPELLER

303 Stainless Steel 12-Degree casting - CNC precision machined & dynamically balanced

SCREEN

All Stainless Steel screen - manufactured from 1/2" 304 Stainless Steel rod.
It is corrosion resistant & can withstand the abuse associated with aerial firefighting.

FASTENERS

Stainless Steel socket head cap screws

DISCHARGE

Stainless Steel discharge assembly
(attaches to a 10" hose)

LIFT

Mixed-Flow

FLOW

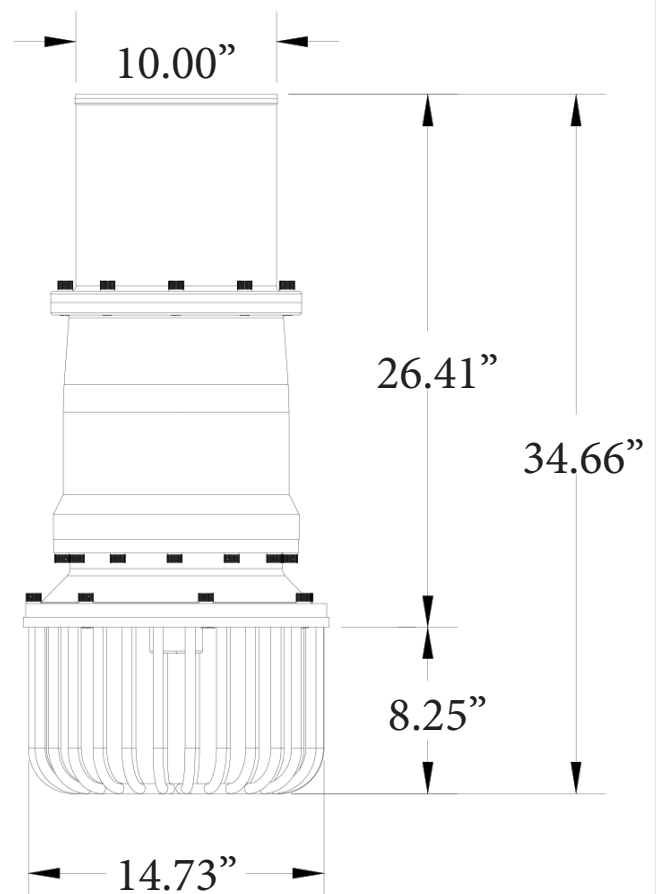
Performance rated at 2,400 GPM
at 20 Ft. Total Dynamic Head (TDH)

DUTY CYCLE

Rated for continuous duty.

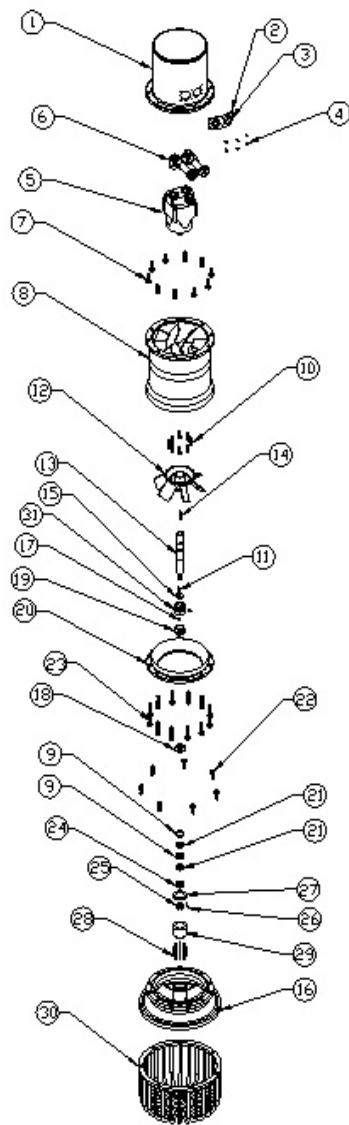
DUTY CYCLE

Rated for operations between 33°F and 90°F





SNORKEL S2 HYDRAULIC PUMP MODEL #S2-10240-1S



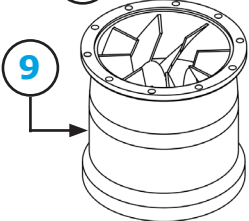
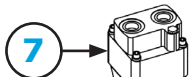
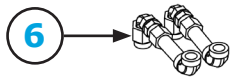
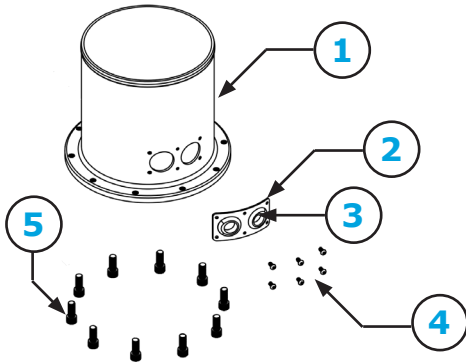
ITEM NO.	PART NO.	DESCRIPTION	QTY
1	S2-90101	Hose Discharge w/ Hydraulic Modification	1
2	S2-90110	Hydraulic Fitting Support Plate	1
3	S2-9600K218	Grommet: 1-3/8" ID 1/8" Thick, 1-3/4" OD	2
4	50237	1/4"-20x1/2" SS Button Head Bolt	6
5	RM-S2-M4SC10271N00A501	Hydraulically Driven Motor	1
6	S2-90210	Hydraulic Hose Assembly	2
7	S2-90450	1/2"-13x1-1/2" SS Socket Cap Screw	10
8	S2-L02156-2	Aluminum Diffuser	1
9	S2-L44610	Outer Bearing Race	2
10	50269	5/16"-18x7/8" SS Socket Cap Screw	8
11	Key - 1/4" x 3/4"	Shaft Key - 1/4" x 1/4" x 3/4"	1
12	S2-L04982-303	SS Impeller 12 Degree w/ Special Machining	1
13	S2-90320	SS Shaft	1
14	Key-1/4" x 1-5/8"	Shaft Key - 1/4" x 1/4" x 1-5/8"	1
15	S2-S08762	Split Ring: 1-1/64" x 1-1/27" x 3/16"	1
16	S2-L02157-1A	Suction Bell w/ Special Machining	1
17	90461	1/4" SS Set Screw	2
18	S2-CR11777	Shaft Seal	1
19	S2-90310	Sand Slinger	1
20	S2-M03581	304SS Liner	1
21	S2-L44643	Bearing	2
22	S2-90430	1/2"-13x1-1/4" SS Socket Cap Screw	7
23	50268	1/2"-13x2" SS Socket Cap Screw	12
24	90411	3/4" Washer	1
25	90421	3/4" Castle Nut	1
26	S2-90470	Cotter Pin: 1/8"x1-1/4"	1
27	S2-90480	Grease Cup Gasket	1
28	S2-90490	8-32x2-1/2" SS Socket Cap Screw	8
29	S2-90330	Aluminum Grease Cup	1
30	S2-90200	SS Strainer Basket	1
31	S2-90250	SS Locking Sand Collar	1

OPTIONAL - PREFORATED SCREEN

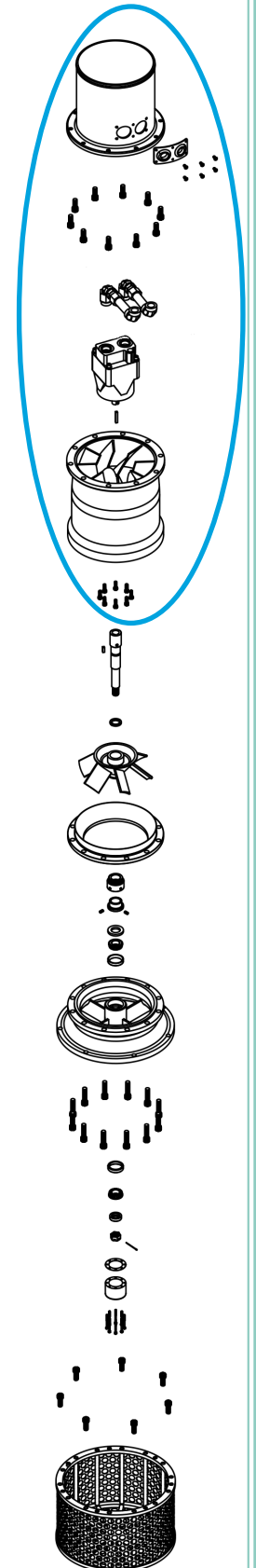
S2-90201	



SNORKEL S2 DISCHARGE/MOTOR ASSEMBLY



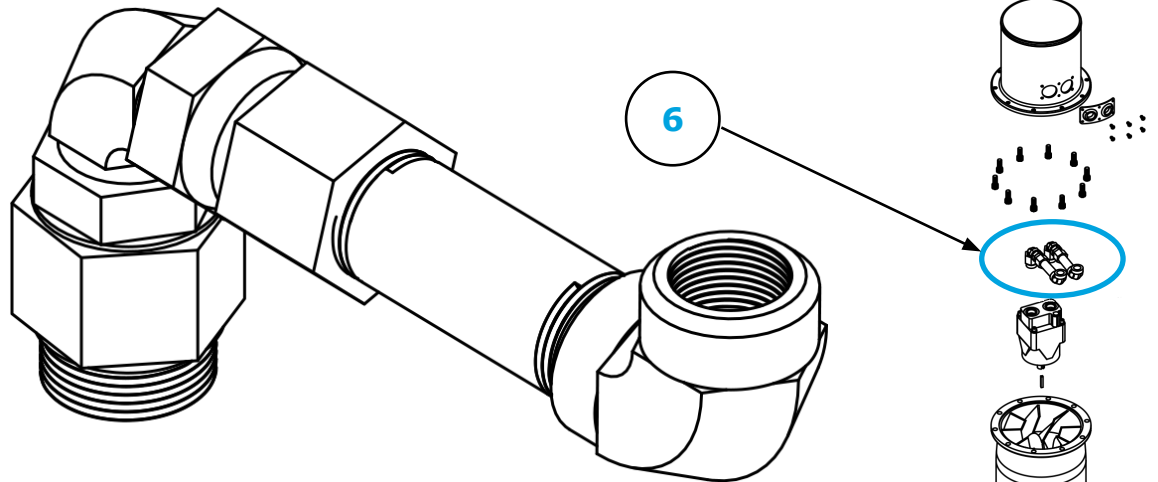
ITEM #	PART #	DESCRIPTION	QTY
1	S2-90101	HOSE DISCHARGE W/ HYDRAULIC MOD	1
2	S2-90110	HYDRAULIC FITTING SUPPORT PLATE	1
3	S2-9600K218	GROMMET: 1-3/8" ID X 1-3/4" OD X 1/8" THICK	2
4	50237	SS BUTTON HEAD BOLT 1/4" - 20 X 1/2"	6
5	S2-90450	SS SOCKET CAP SCREW 1/2" - 13 X 1-1/2"	2
6	S2-90210	HYDRAULIC HOSE ASSEMBLY	2
7	RM-S2-M4SC- 10271N00A501	HYDRAULICALLY DRIVEN MOTOR - 23 HP	1
8	KEY- 1/4" X 3/4"	DRIVESHAFT KEY 1/4" X 1/4" X 3/4"	1
9	S2-L02156-2	ALUMINUM DIFFUSER	1
10	50269	SS SOCKET CAP SCREW 5/16" - 18 X 7/8"	8



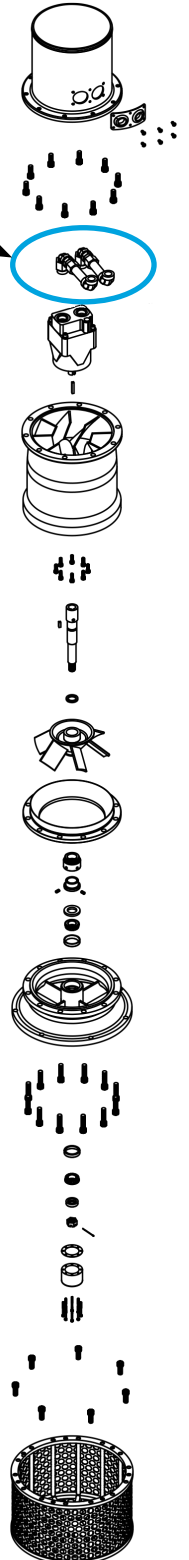
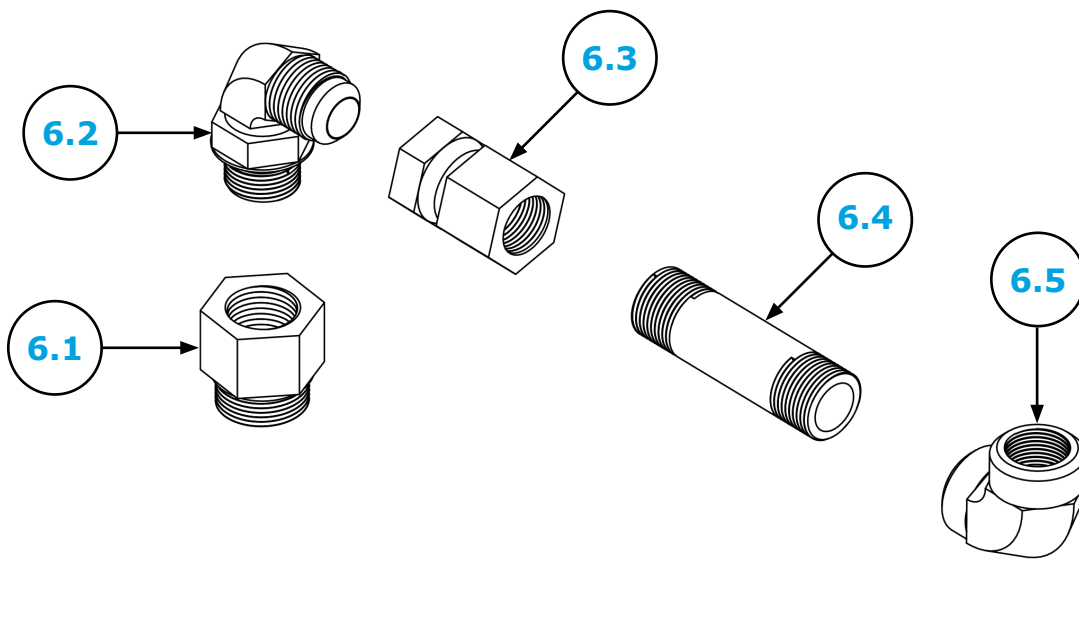


SNORKEL S2 HYDRAULIC HOSE ASSY.

HYDRAULIC HOSE FITTING ASSEMBLY #S2-90210

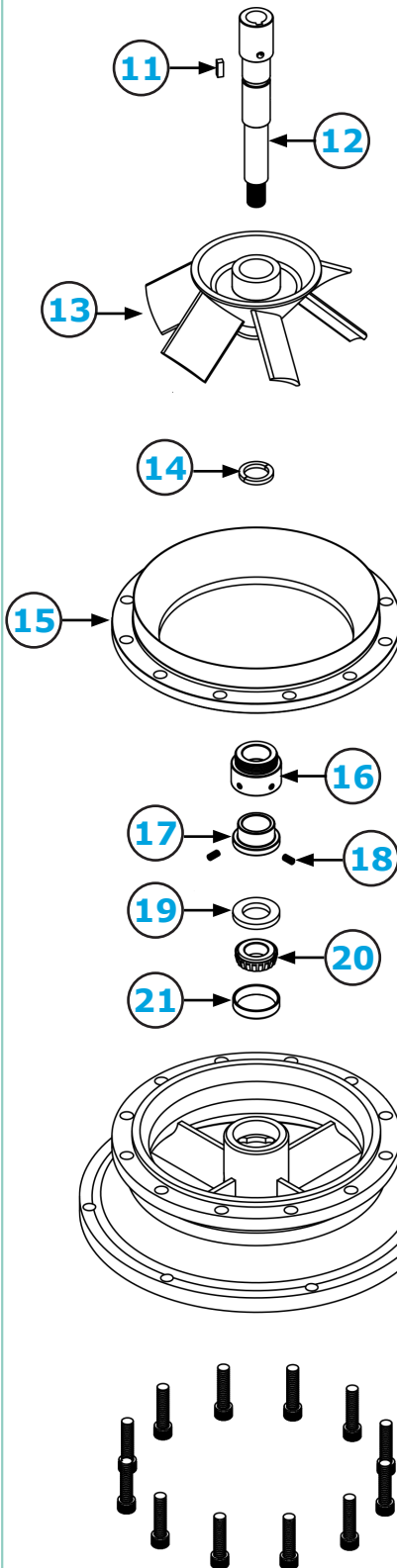


ITEM #	PART #	DESCRIPTION	QTY
6	S2-90210	HYDRAULIC HOSE ASSEMBLY	2
6.1	S2-16-12F50G5-S	REDUCER/ADAPTER W/O-RING	1
6.2	S2-12C50X-S	90° ELBOW FITTING	1
6.3	S2-12G6X-S	FNPT TO FJIC MALE CONNECTOR	1
6.4	S2-46755K135	2-3/4" SS PIPE NIPPLE X 3-1/2" LG	1
6.5	S2-12DTX-S	FEMALE 90° ELBOW	1

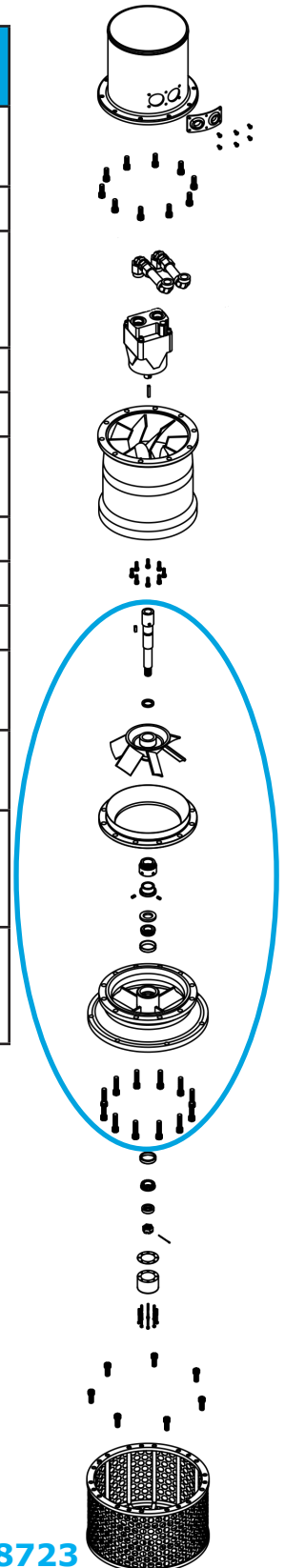




SNORKEL S2 IMPELLER, SHAFT & SUCTION BELL ASSEMBLY



ITEM #	PART #	DESCRIPTION	QTY
11	KEY-1/4" X 3/4"	IMPELLER KEY 1/4" X 1/4" X 1-5/8"	1
12	S2-90320	SS DRIVESHAFT	1
13	S2-L04982-303	SS IMPELLER 12° W/SPECIAL MACHINING	1
14	S2-S08762	SPLIT RING	1
15	S2-M03581	304SS LINER	1
16	S2-90250	SS LOCKING SAND COLLAR	1
17	S2-90310	SAND SLINGER	1
18	90461	SS SET SCREW 1/4"	2
19	S2-CR11777	SHAFT SEAL	1
20	S2-L44643	BEARING INNER RACE	1
21	S2-L44610	BEARING OUTER RACE	1
22	S2-L02157-1A	SUCTION BELL W/ CUSTOM MACHINING	1
23	50268	SS SOCKET CAP SCREW 1/2" - 13 X 2"	12

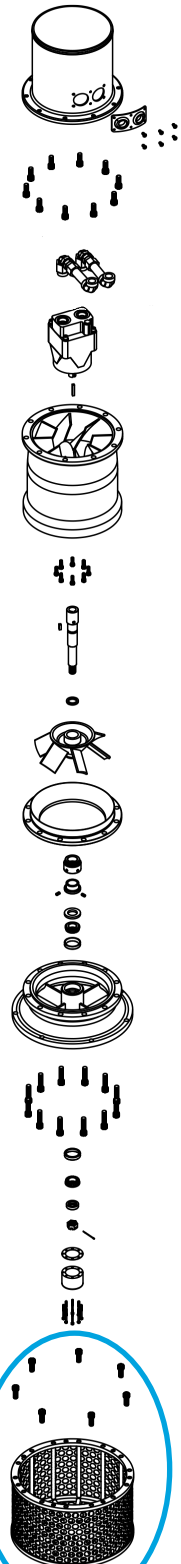
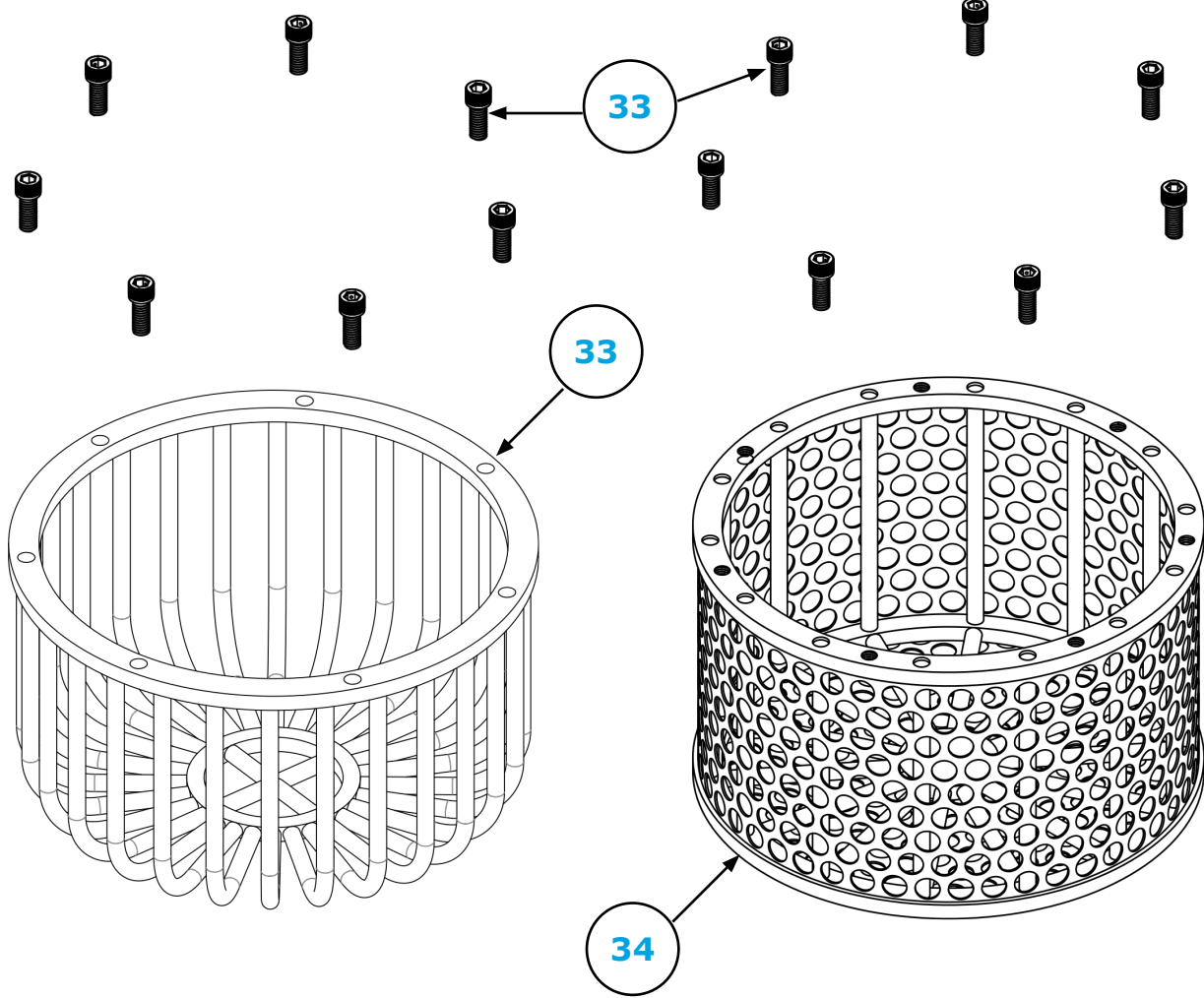




SNORKEL S2 STRAINER SCREEN

STANDARD STRAINER BASKET

PERFORATED STRAINER BASKET (OPTIONAL)



ITEM #	PART #	DESCRIPTION	QTY
32	S2-90430	SS SOCKET CAP SCREW 1/2" - 13 X 1-1/4" LG	7
33	S2-90200	SS STANDARD STRAINER BASKET	1
34	S2-90201	SS PERFORATED STRAINER BASKET (OPTIONAL)	1

