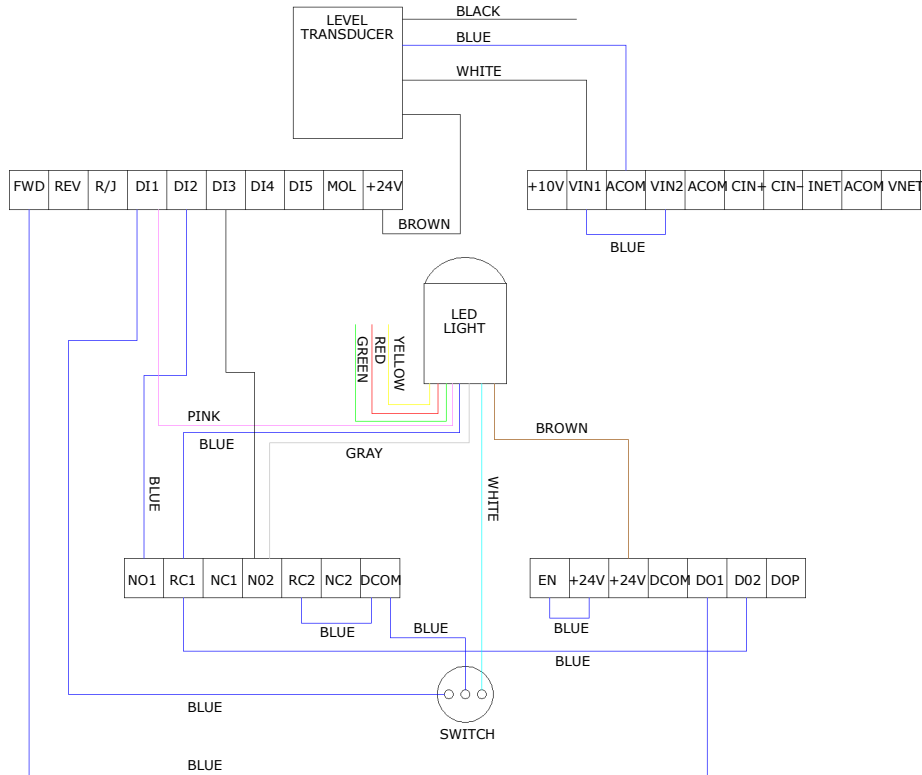




# LED LIGHT KIT WIRING DIAGRAM FOR STANDALONE VFDs

## WIRING INSTRUCTIONS

1. Verify that the center toggle switch wire is connected to the DCOM.
2. Connect the LED white wire connector to the unused end position of the toggle switch.
3. Connect the remaining LED wires as shown.
4. Verify and alter the parameters listed below.



PARAMETERS	
<b>P705</b>	Timer 2
<b>P706</b>	Drive Fault
<b>P708</b>	Timer 1
<b>P747</b>	Running Fwd
<b>P748</b>	5 Sec
<b>P750</b>	Thres 2
<b>P751</b>	10 Sec

WIRE	CONNECTION	RESULT	INDICATOR
Brown	+24V	Power	None
Pink	D11	Remote signal from switch	Blue Light
Blue	RC1/D02	Run signal with 5 second delay	Green Light
Gray	N02	VFD Fault Signal	Red Light
White	White wire from toggle switch	Manual Mode	Yellow Light

**YELLOW, RED, AND GREEN WIRES ARE NOT USED**