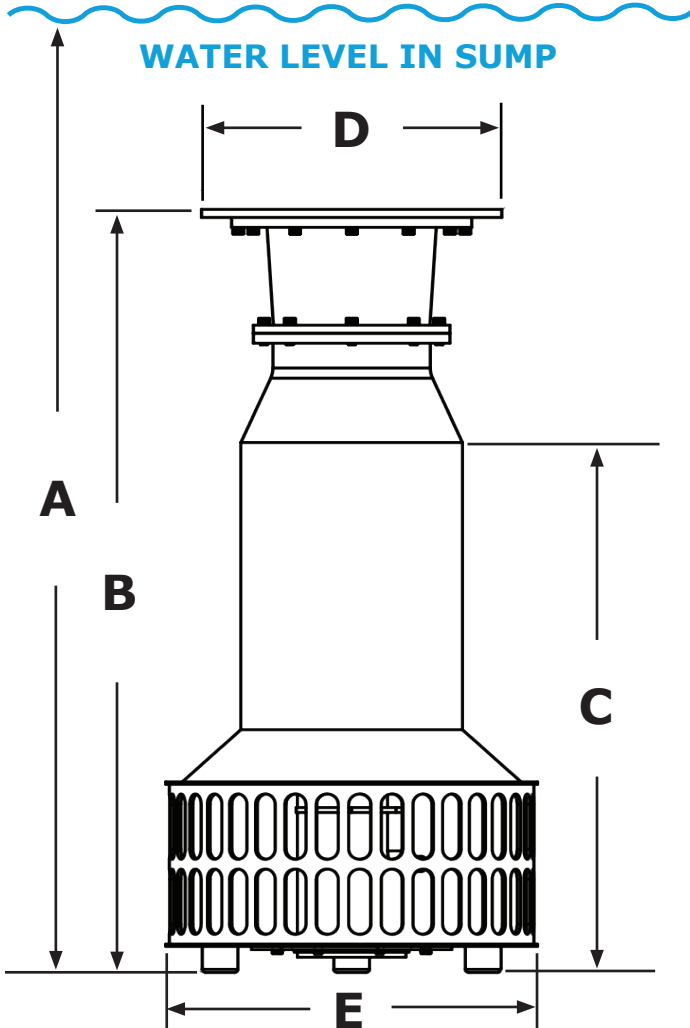
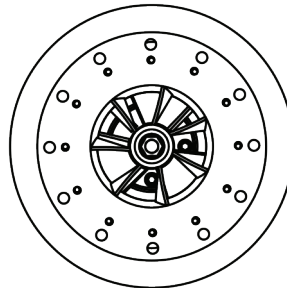




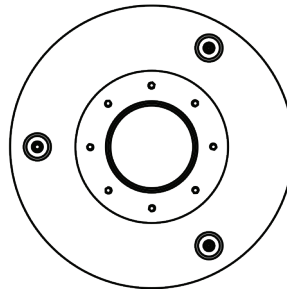
CP10 SERIES PUMP SPECIFICATIONS



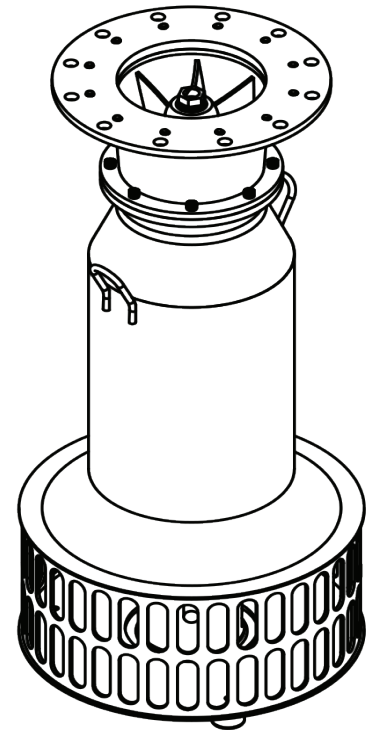
*14" DISCHARGE RECOMMENDED
FOR BEST PERFORMANCE*



TOP VIEW



BOTTOM VIEW



HP	(A) MINIMUM WATER PUMP ON	(B) OVERALL HEIGHT	(C) MINIMUM WATER PUMP OFF	(D) 14" ANSI FLANGE DIAMETER	(E) OVERALL DIAMETER	WEIGHT
20	64"	54"	34"	21"	26"	700 LBS
25	67"	57"	37"	21"	26"	730 LBS
30	70"	60"	40"	21"	26"	765 LBS

Carry Pumps, Inc. • 1360 Prospect Ave. • Caro, MI 48723
www.carrypumps.com • (800) 492-2779 • sales@carrypumps.com