

# CARRY MANUFACTURING, INC.

## UPQTMGN'U3"PUMP - 7.5HP

### SPECIFICATIONS:

**Motor:** 7.5 HP, three phase, 400 Hz, 208 VAC and RPM of 3800

**Pump Shell:** An aluminum investment casting that is CNC machined. This contains the electrical junction box and impeller bowl area. The motor and diffuser are attached to it also. Also available in 304 Stainless Steel.

**Motor Bucket:** An aluminum CNC machined assembly includes a bucket and top plate. The unit is modular for moisture protection and ease of repair. Also available in 304 Stainless Steel.

**Diffuser:** An aluminum investment casting that is CNC machined, flared 6" end for discharge hose attachment. Also available in 304 Stainless Steel.

**Impeller:** 304 Stainless Steel investment casting impeller, CNC precision machined and dynamically balanced.

**Fasteners:** Stainless steel socket head cap screws.

**Screen:** An all stainless steel screen is made from 1/4" 304 Stainless Steel rod. It is corrosion resistant and can withstand the abuse associated with aerial firefighting.

**Lead:** 10/4 AWG wire with ground; without a plug.

**Lift:** Axial-Flow

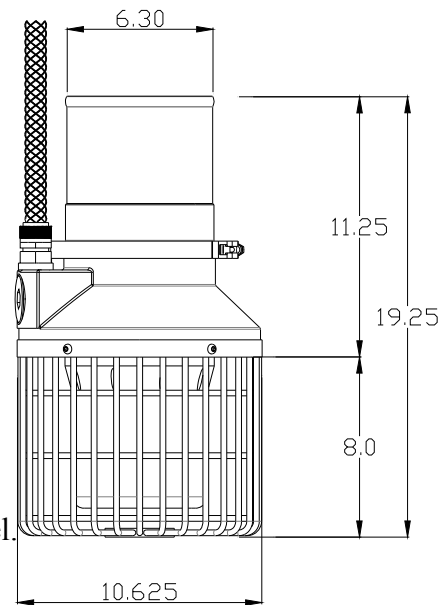
**Flow:** Performance rated at 1,000 GPM at 12' TDH.

**Duty Cycle:** 2 minutes on with 5 minutes off.

### Temperature

**Range:** Maximum Temperature +70°C  
Minimum Temperature -30°C

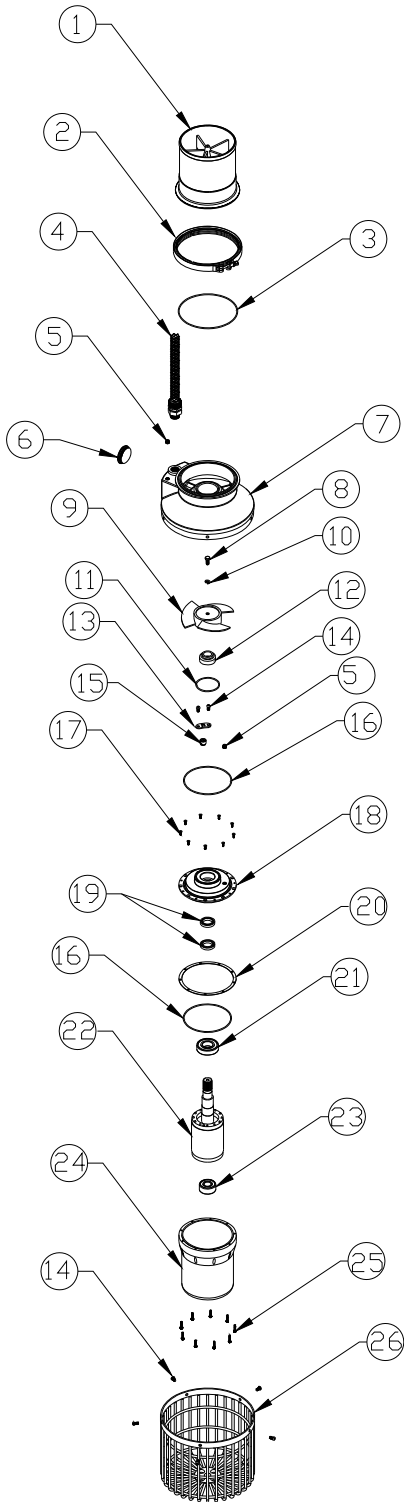
**Weight:** Pump and motor: Aluminum is 50 pounds. 304 Stainless Steel is 80 pounds.



# CARRY MANUFACTURING, INC.

## UPQTMGN'U3'PUMP'/'907'J R

### SPQTMGN'U3'RWO R



Item #:	Part #:	Description:	Qty:
1	S1-60105-A	Recuperator	1
2	S1-60200	V-Clamp	1
3	OR-165BN70	O-Ring #165	1
4	WOO5542MSS	Cord Connector	1
5	S1-60230	1/8" Plug	1
6	S1-60275	Hollow Hex Plug	1
7	S1-60100-A	Crown Housing	1
8	50201	SS Hex Head Bolt: 5/16"-18x3/4"	1
9	60103	6" No. 3 Impeller	1
10	50202	SS Lock Washer: 5/16" Standard	1
11	OR-144BN70	O-Ring #144	1
12	155-274-101	Sand Slinger	1
13	S1-60345	Cord Cover	1
14	60250	SS Button Head: 1/4"-20x1/2"	2
15	S1-60340	Nylon Cord Insert	1
16	OR-160BN70	O'Ring #160	2
17	60225	SS Flat Head Screw: 8-32x1/2"	9
18	S1-60113A	Motor Cap	1
19	S1-C1139	Lip Seal	2
20	S1-60300	Motor Gasket	1
21	S1-FAFN206FF	Top Motor Bearing	1
22	S1-60110	Motor (Stator & Rotor)	1
23	S1-5204CZZ	Bottom Motor Bearing	1
24	S1-60111-A	Motor Bucket	1
25	60255	SS Socket Head: 8-32x3/4"	9
26	S1-60112	Intake Screen	1