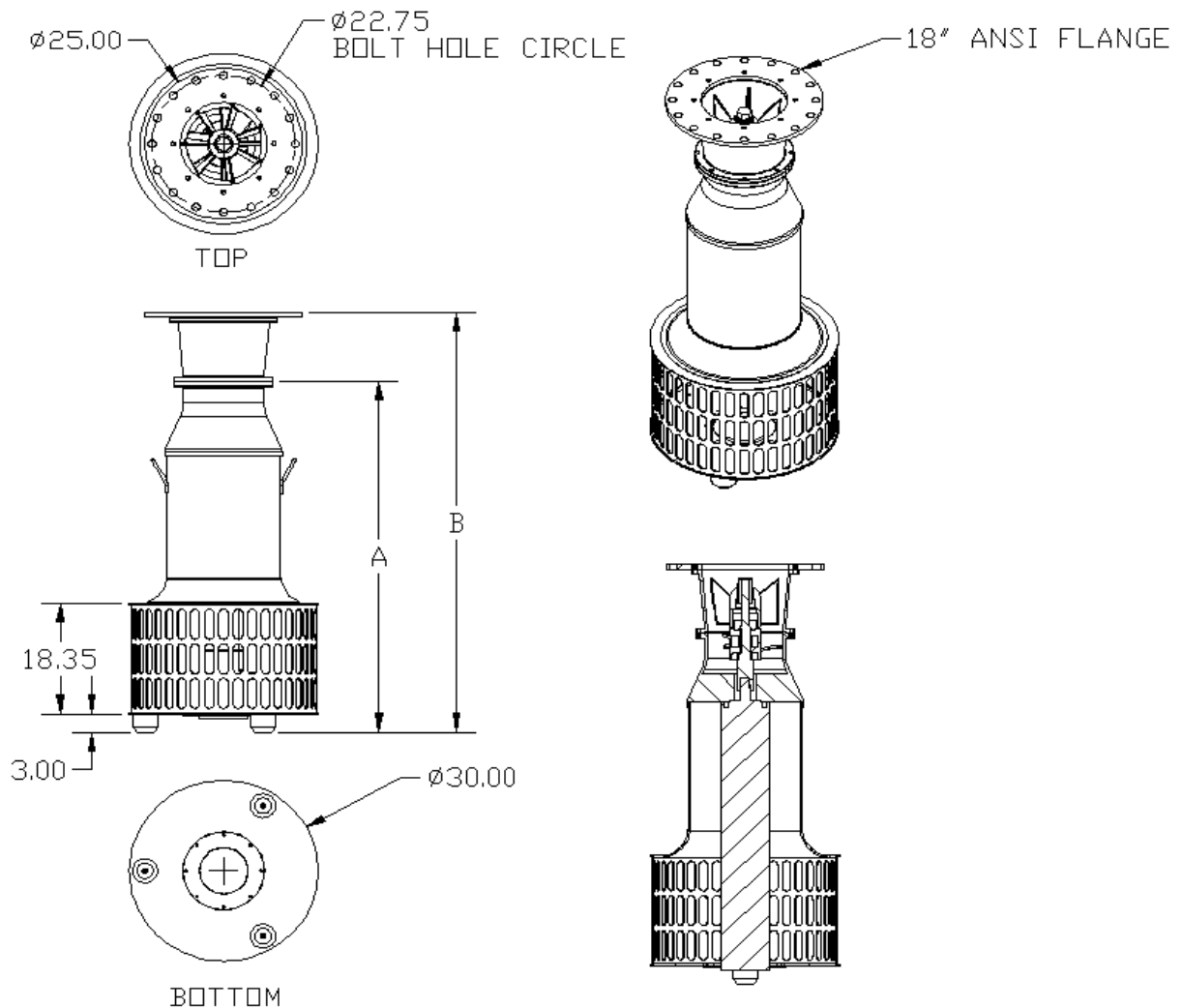




CP12 SERIES - 3 PHASE PUMP DIMENSIONS



HORSEPOWER	WEIGHT	(A) MINIMUM SUBMERGENCE	(B) OVERALL HEIGHT
40HP	900 LBS	57.25"	69"
50HP	1,000 LBS	61.25"	73"
60HP	1,100 LBS	65.25"	77"